

# IR Touch Overlay

nLighten IR touch overlay adopts the IR sensing technology that responds fast and touch point accurate so as to provide an interactive touch solution that easy to use. nLighten IR touch overlay also provides two series, I type and II type. I type is suitable for narrow frame LCD/PDP/DLP equipment. II type is suitable for wide frame LCD/PDP/DLP equipment. Flexible product series allow you to easily select suitable model and size in accordance with displays.

### Features of nLighten IR Touch overlay

- LED infrared touch-control technology
- Support dual points touch-control at the same time.
- Operate with fingers, pens, or pen-like objects.
- Convenient installation
- Plug-in

### Specification

Display size	32" / 37" / 42" / 47" / 50" / 55" / 65" / 82" / 85" / 103" / 120" LCD/PDP/DLP
Case material	Aluminium Alloy
Case color	Black
<b>Touch Technology</b>	
Detect method	IR Optical touch technology
Computer connection	N/bezel : Mini USB / W/bezel : Standard type A USB
Touch method	Finger touch or pen shape object(Diameter>5mm)
Accuracy	2.0mm
Minimum touch object	5.0mm
Reaction time	<25ms
Touch panel	4mm Tempered glass (Optional)
No. of touch point	Able to touch two points at same time.
Driver	Not required
Cable	2.5m
<b>Others</b>	
Connection port	USB 2.0 / 1.1
Voltage	DC 5V
Power Supply	USB only( Overlay which is less then 85") USB & Adaptor( Overlay which is larger then 85")
Power Consumption	< 2.5 (Overlay which is less then 85") Operation current <500mA (DC5V) < 5.0 (Overlay which is larger then 85"); Operation current <1000mA (DC5V)
<b>Environment</b>	
Operation	Temperature 0~40°C/ Humidity 10%~90% RH
Storage	Temperature -10~50°C/ Humidity 10%~90% RH

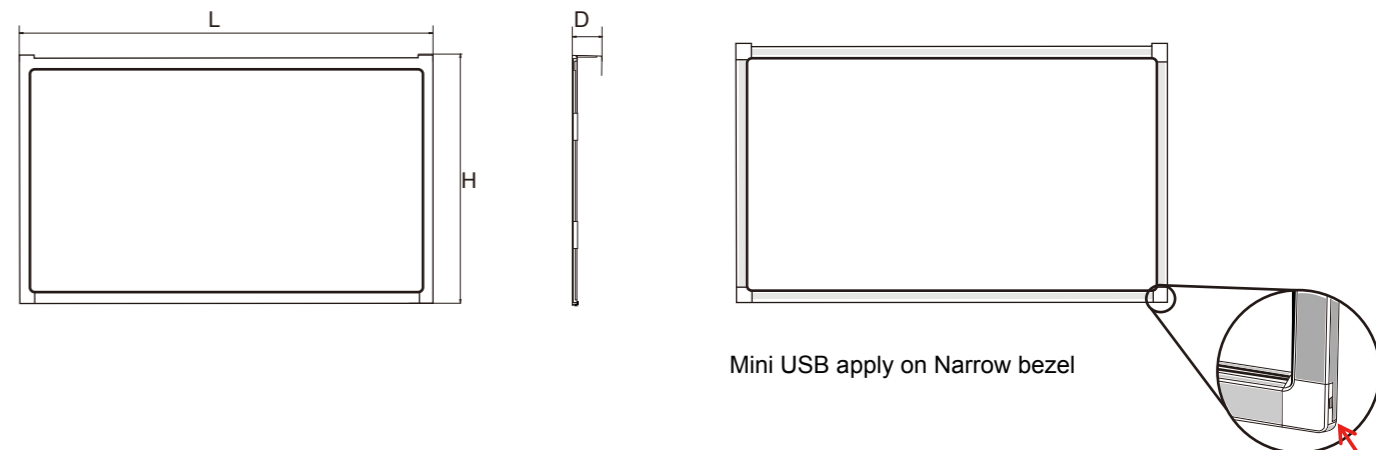


82" Overlay apply on large size screen



120" Overlay apply on 60" 2x2 video Wall

### Narrow bezel

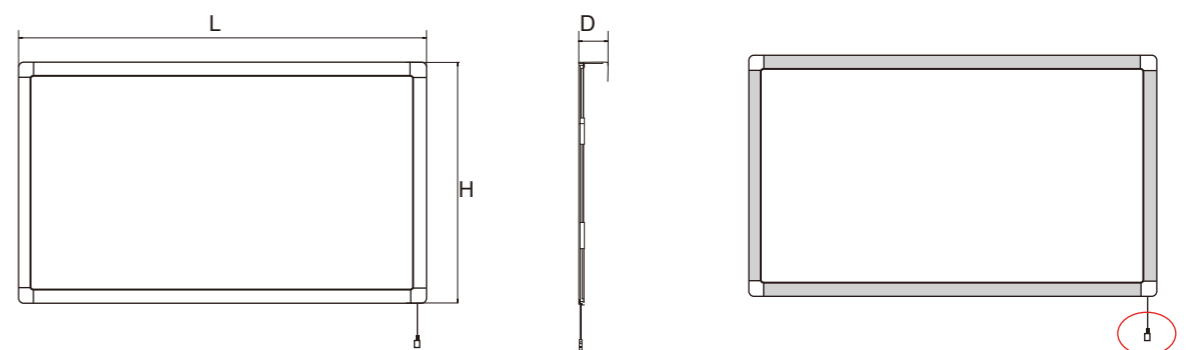


Mini USB apply on Narrow bezel

Mini USB

Size	Ratio	Touch area	Dimension	Adjustment	Net weight
32"	16:9	708X398mm	797x478x16.7mm	53~105mm	1.8kg
37"	16:9	818X463mm	907x552x16.7mm	53~105mm	2.0kg
42"	16:9	928X523mm	1017x612x16.7mm	53~105mm	2.2kg
47"	16:9	1038X583mm	1127x672x16.7mm	53~105mm	2.4kg
50"	16:9	1118X638mm	1207x727x16.7mm	53~105mm	2.6kg
55"	16:9	1218X688mm	1307x777x16.7mm	53~105mm	2.8kg
65"	16:9	1458X818mm	1547x907x16.7mm	53~105mm	3.3kg
82"	4:3	1669X1253mm	1758x1342x16.7mm	53~105mm	4.2kg
82"	16:9	1817X1022mm	1906x1110x16.7mm	53~105mm	4.2kg
85"	16:9	1883X1061mm	1972x1150x16.7mm	53~105mm	4.3kg
103"	16:9	2281X1283mm	2370x1370x16.7mm	53~105mm	5.2kg
120"	16:9	2653X1487mm	2742x1576x16.7mm	53~105mm	6.1kg

### Wide bezel



Type A USB apply on wide bezel

Type A USB

Size	Ratio	Touch area	Dimension	Adjustment	Net weight
50"	16:9	1120X640mm	1226x746x22mm	75~115mm	3.6kg
55"	16:9	1220X690mm	1326x796x22mm	75~115mm	3.9kg
65"	16:9	1460X820mm	1566x926x22mm	75~115mm	4.5kg

\* nLighten reserves the right to update above information without prior notice